

# STATE OF KUWAIT

TEL : +965 24762531  
TELFAX: +965 24765512  
TELEX : 31945 CIVAIR KT  
AFS : OKNOYOYX  
OKNOYNYX

DIRECTORATE GENERAL OF CIVIL AVIATION  
AERONAUTICAL INFORMATION SERVICE (AIS)  
KUWAIT INTERNATIONAL AIRPORT

P.O.BOX 17 SAFAT 13001-KUWAIT

**AIRAC AIP  
SUPPLEMENT  
NR 05/23  
DATE: 10/08/2023**

EMAIL: aip@dgca.gov.kw.

---

## AERODROME (AD)

With effect from **05 OCT 2023**

**05 TAXIWAY RENAMED FROM TWY T TO TWY Q1 IN CARGO CITY APRON.  
AMEND AIP PAGE AD 2.OKKK-13 AND AD 2.OKKK-16 ACCORDINGLY.**

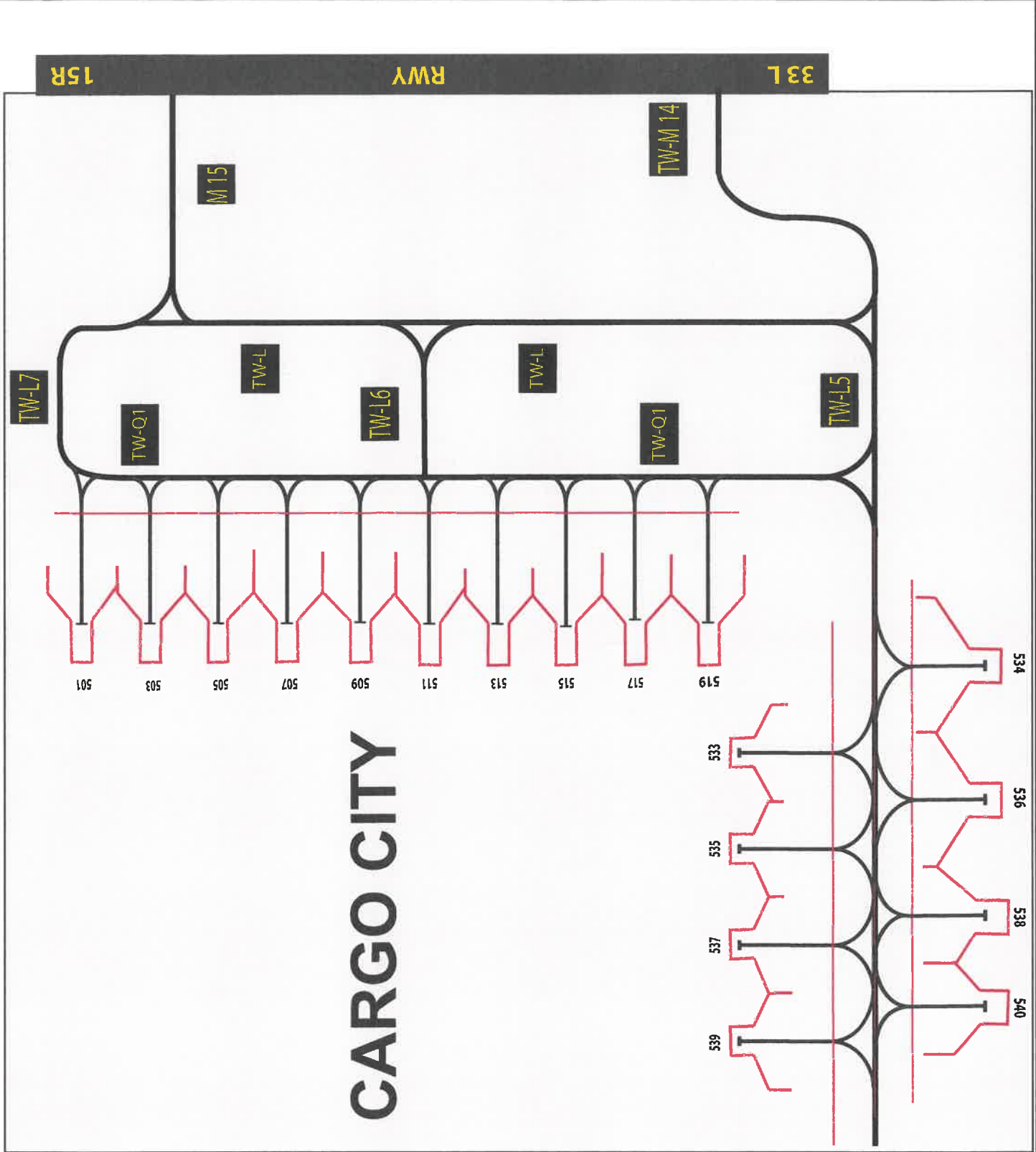
**END**

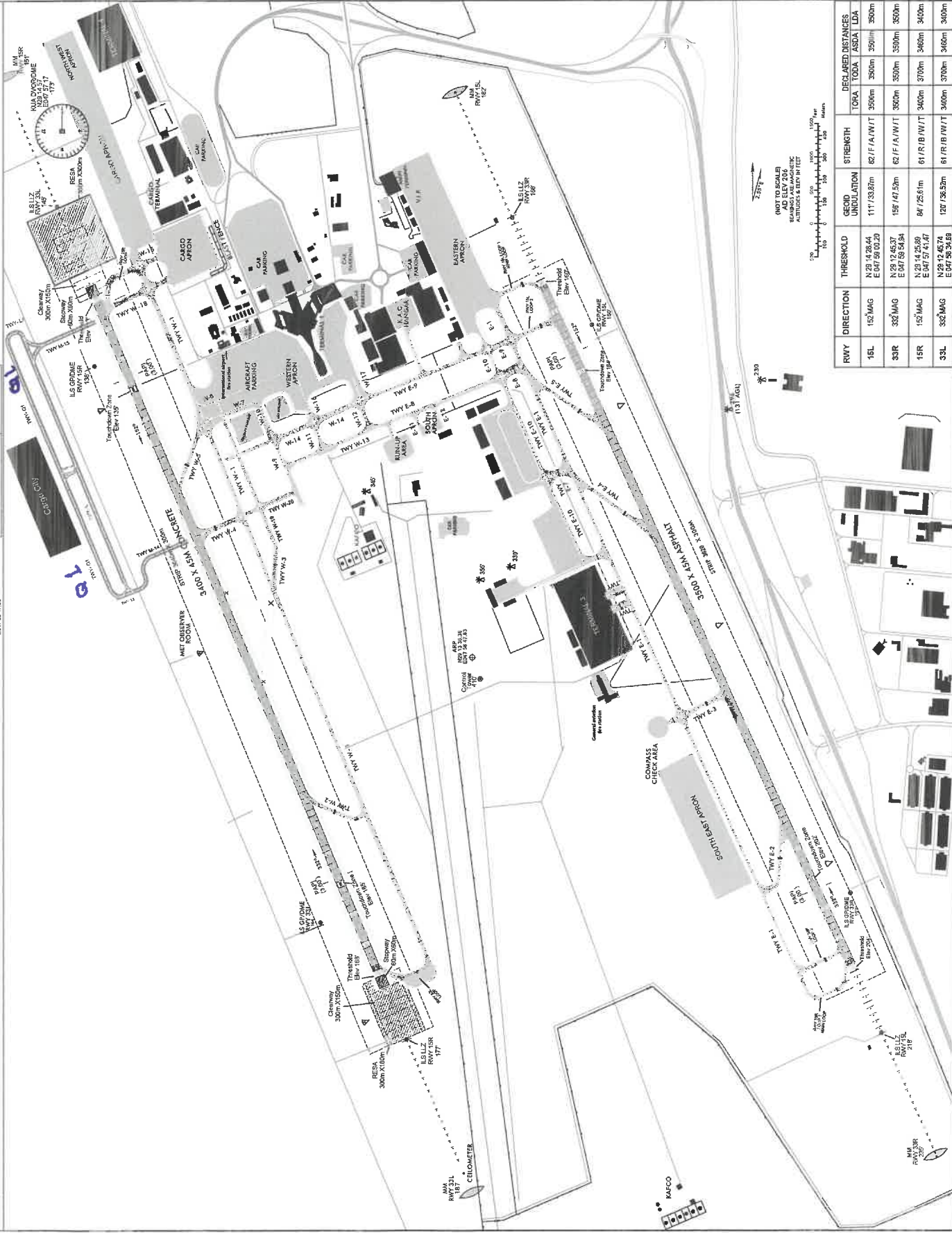
**AERONAUTICAL INFORMATION SERVICE (AIS)  
KUWAIT**

Cargo City Apron 1/2

| STAND NR | INS COORDINATES ( WGS-84 )     | MAX WING SPAN |
|----------|--------------------------------|---------------|
| 501      | N 29 14 18.49<br>E 47 57 17.26 | 65M or less   |
| 503      | N 29 14 16.36<br>E 47 57 18.39 | 65M or less   |
| 505      | N 29 14 14.23<br>E 47 57 19.53 | 65M or less   |
| 507      | N 29 14 12.09<br>E 47 57 20.66 | 65M or less   |
| 509      | N 29 14 09.96<br>E 47 57 21.80 | 65M or less   |
| 511      | N 29 14 06.97<br>E 47 57 23.39 | 80M or less   |
| 513      | N 29 14 04.40<br>E 47 57 24.76 | 80M or less   |
| 515      | N 29 14 01.82<br>E 47 57 26.12 | 80M or less   |
| 517      | N 29 13 59.24<br>E 47 57 27.49 | 80M or less   |
| 519      | N 29 13 56.75<br>E 47 57 28.82 | 65M or less   |

| STANDS NR | INS COORDINATES ( WGS-84 )     | MAX WING SPAN |
|-----------|--------------------------------|---------------|
| 534       | N 29 13 34.72<br>E 47 57 41.49 | 80M or less   |
| 536       | N 29 13 33.52<br>E 47 57 38.55 | 80M or less   |
| 538       | N 29 13 32.33<br>E 47 57 36.08 | 52M or less   |
| 540       | N 29 13 31.51<br>E 47 57 34.08 | 52M or less   |
| 539       | N 29 13 37.98<br>E 47 57 25.87 | 65M or less   |
| 537       | N 29 13 38.97<br>E 47 57 28.30 | 65M or less   |
| 535       | N 29 13 39.97<br>E 47 57 30.74 | 65M or less   |
| 533       | N 29 13 40.96<br>E 47 57 33.17 | 65M or less   |





| RWY | DIRECTION | THRESHOLD                       | SEGD UNICULATION | STRENGTH   | DECLARED DISTANCES      |
|-----|-----------|---------------------------------|------------------|------------|-------------------------|
|     |           |                                 |                  |            | TORA TODA ASDA LDA      |
| 15L | 152 MAG   | N 28 14 28.44<br>E 047 58 00.29 | 111/33.8m        | 62/F/A/W/T | 3500m 3500m 3500m 3500m |
| 33R | 332 MAG   | N 58 15 45.07<br>E 047 58 54.54 | 156/47.5m        | 62/F/A/W/T | 3500m 3500m 3500m 3500m |
| 15R | 152 MAG   | N 28 14 25.89<br>E 047 57 41.47 | 84/25.61m        | 61/R/B/W/T | 3400m 3400m 3400m 3400m |
| 33L | 332 MAG   | N 28 14 46.74<br>E 047 58 34.88 | 120/36.57m       | 61/R/B/W/T | 3700m 3700m 3400m 3400m |